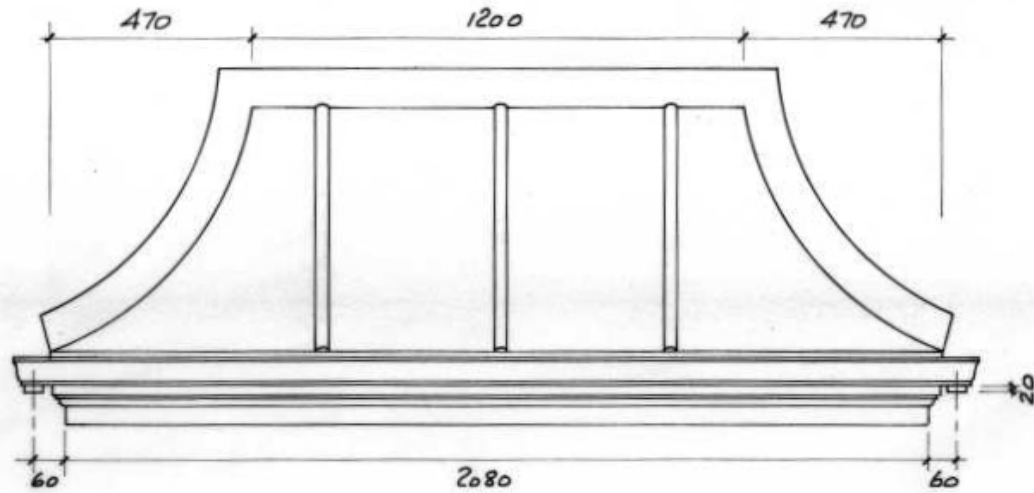
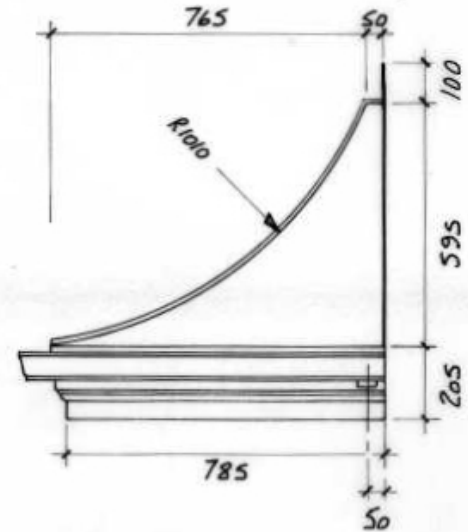


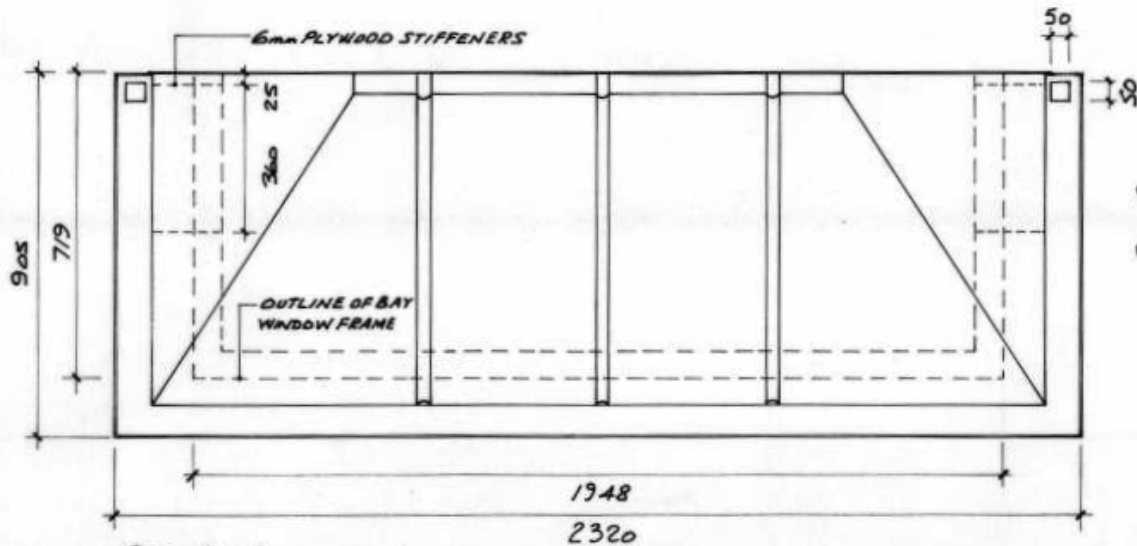
3RD ANGLE PROJECTION



FRONT ELEVATION
10:125

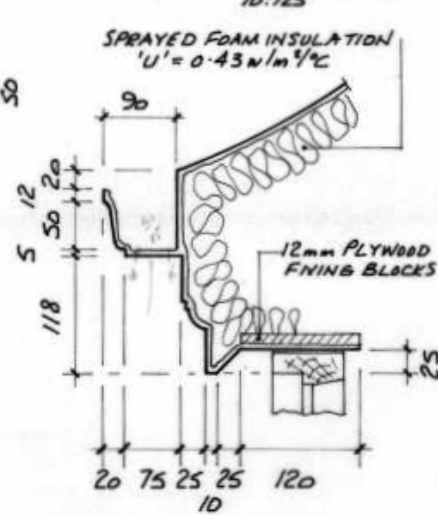


SIDE ELEVATION
10:125



ROOF PLAN
10:125

DRAWING SIZE A3



FASCIA DETAIL
1:5

B	FIXING FLANGE WAS 50
1/3/00	A
18/3	DIMENSIONS CORRECTED
ISS.	REVISION
Alpha Glass Fibres Ltd.	
ARCHITECTURAL MOLDINGS	
SITE	
TITLE	
1948 BAY WINDOW CANOPY	
SCALE	DATE
A.N.	17/3/99
DRAWING NUMBER	
6827/007 B	