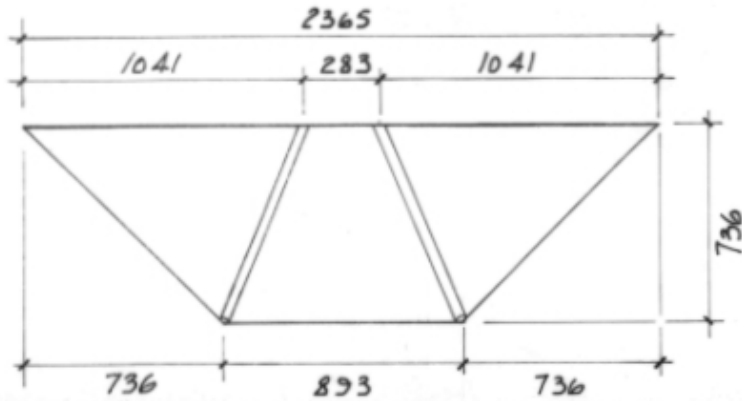
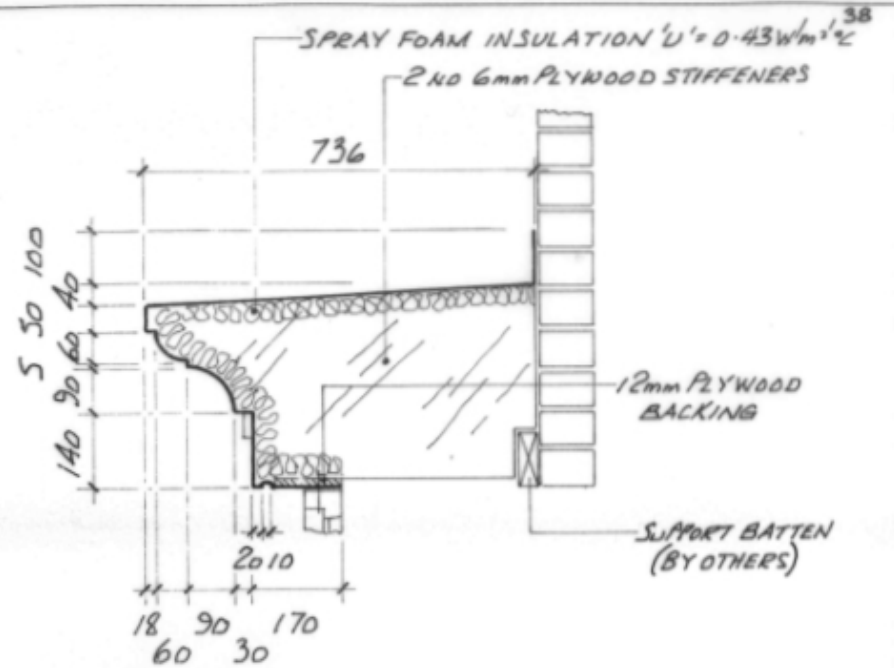


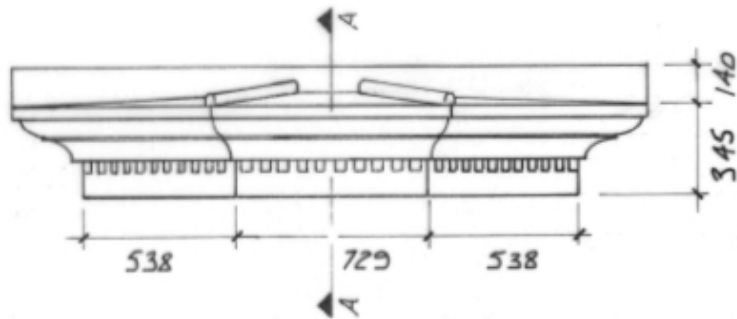
3RD ANGLE PROJECTION



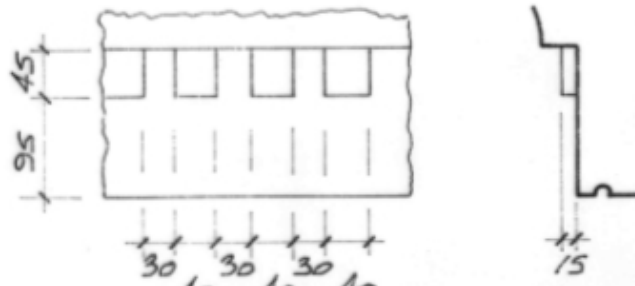
ROOF PLAN  
1:20



SECTION A-A  
1:10



FRONT ELEVATION



ENLARGED DENTIL BLOCK DETAIL

ISSUE	REVISION
GRP Structures Limited Fitzherbert Road, Farlington, Portsmouth Tel 023 9237 9990 Fax 023 9221 0716	
SITE	
TITLE 2365 Dentil Bay	
SCALE A.N.	DATE 21-1-04
DRAWING NUMBER 90304-20	