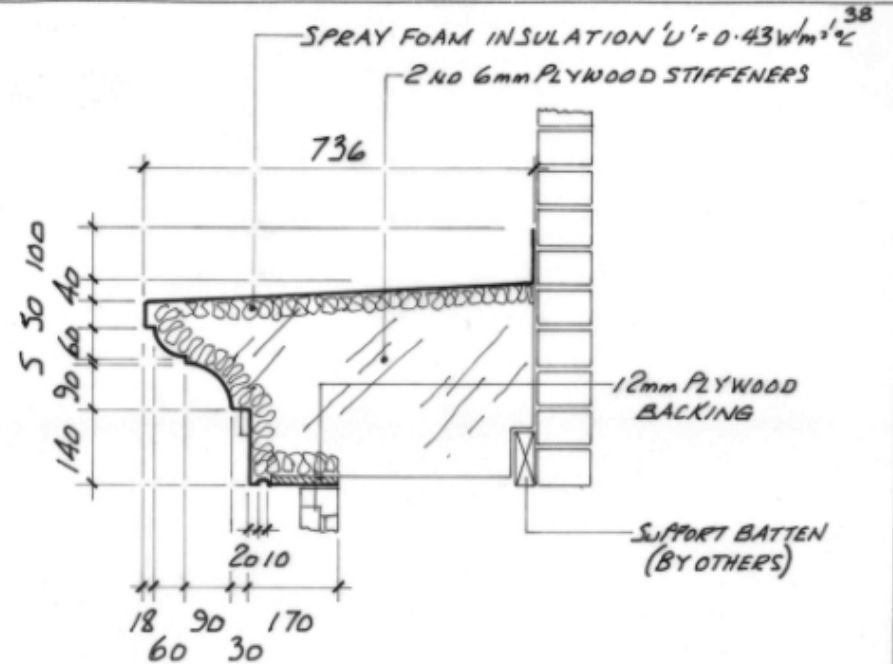
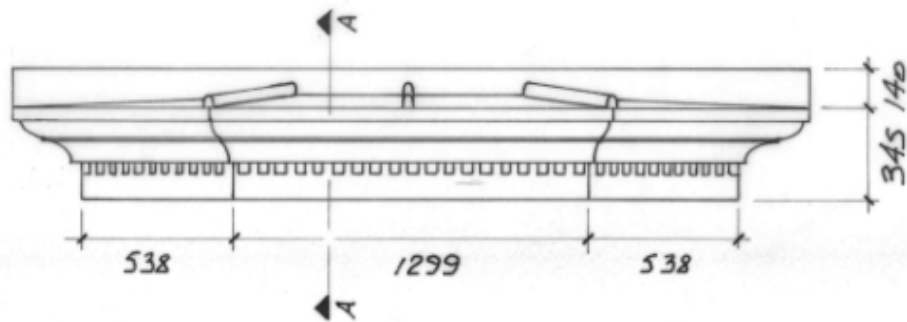


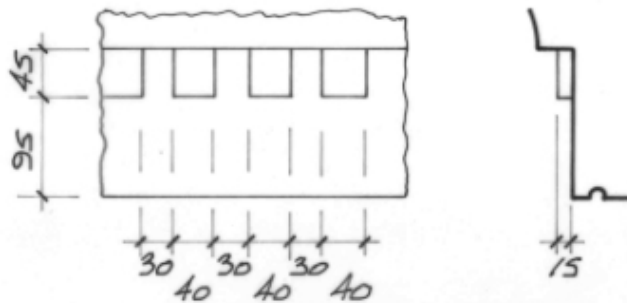
ROOF PLAN
1:20



SECTION A-A
1:10



FRONT ELEVATION



ENLARGED DENTIL BLOCK DETAIL

C	H/T RIPON & RIPON
31/105	CORNER ADDED
B	H/T ALDEBURGH ADDED
25/8	
A	H/T RADLEIGH ADDED
21/104	

ISSUE	REVISION
GRP Structures Limited	
Fitzherbert Road, Farlington, Portsmouth	
Tel: 023 9237 9990 Fax: 023 9221 0716	

SITE

TITLE
2935 Dentil Bay

SCALE	DATE
A.N.	8-10-03

DRAWING NUMBER	C
90304-7	