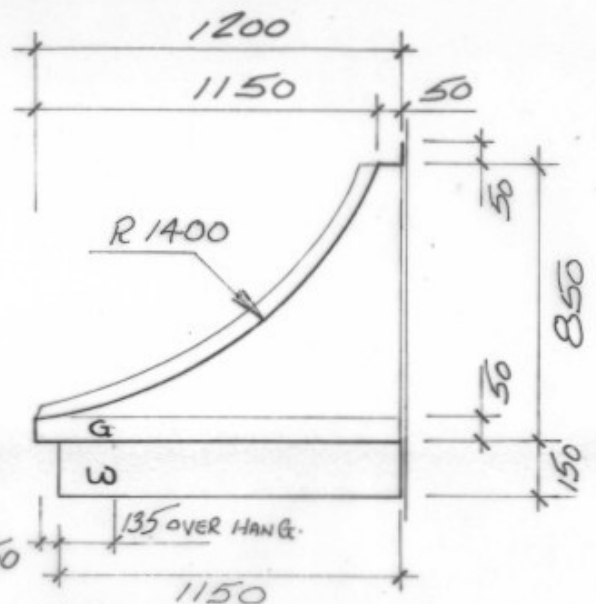
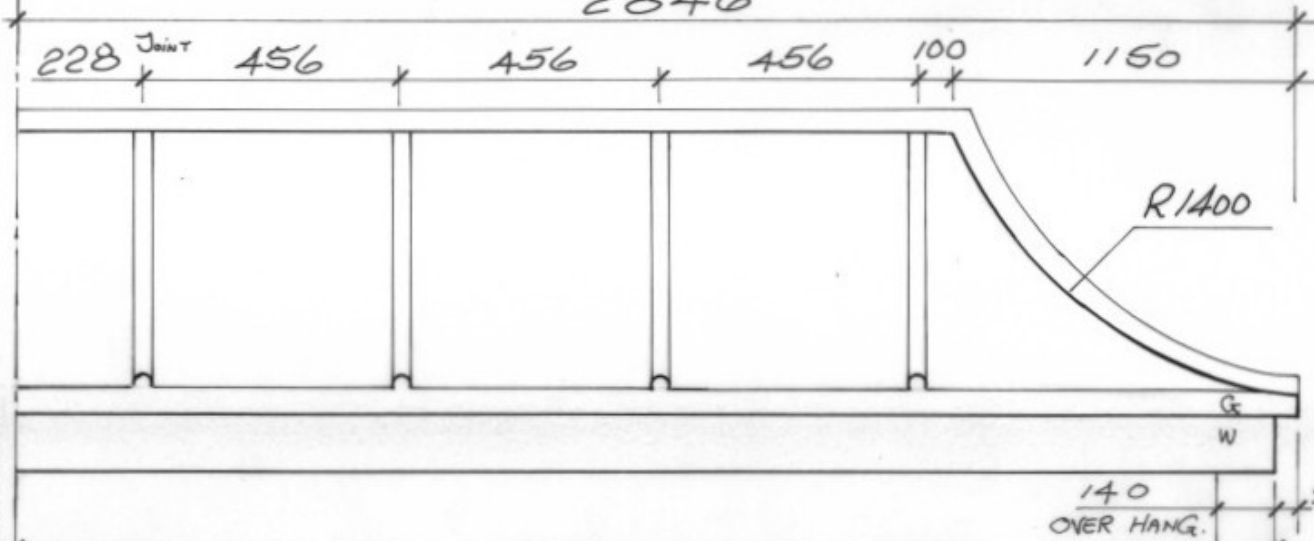




NOTE: COLOUR DENOTED W=WHITE, G=GREY. * MADE AS A TWO PART UNIT

47

2846



ELEVATION.

SIDE ELEVATION.



6mm PLYWOOD STIFFENERS LAMINATED IN POSITION @ 450 CTS

LEAD FLASH (BY OTHERS)
Foam INSULATION U' 0.43 W/M²K

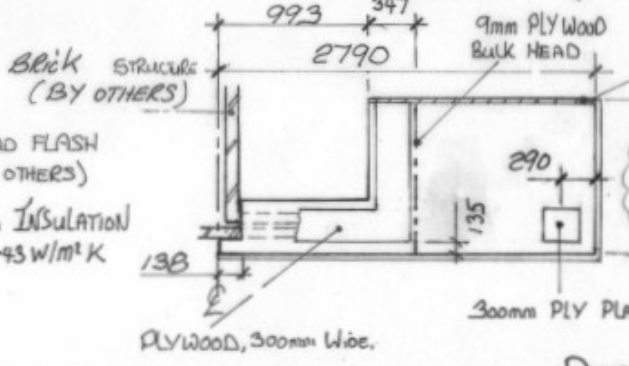
12mm PLYWOOD BACKING

DETAIL 'A'

475

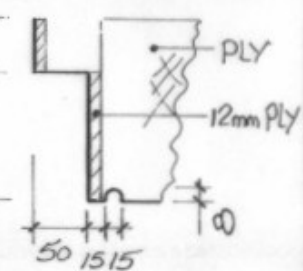
12mm PLYWOOD 300mm wide

TYPICAL SECTION *



BASE UNIT PLAN.

DETAIL 'A'



SP'S: 07	Revised Dim to Base unit PLAN.
Rev 'A'	
ISSUE	REVISION

GRP Structures Limited
 Fitzherbert Road
 Portsmouth, Hants PO6 1RU
 Tel: 023 9237 9990
 Fax: 023 9221 0716

SITE
1200V Double

TITLE
DOUBLE CURVED ROOF CANOPY

DRAWN	SCALE	DATE
R.W.	N.T.S	9-03-07

DRAWING No	SHEET	ISSUE
30701-24	1-2	A