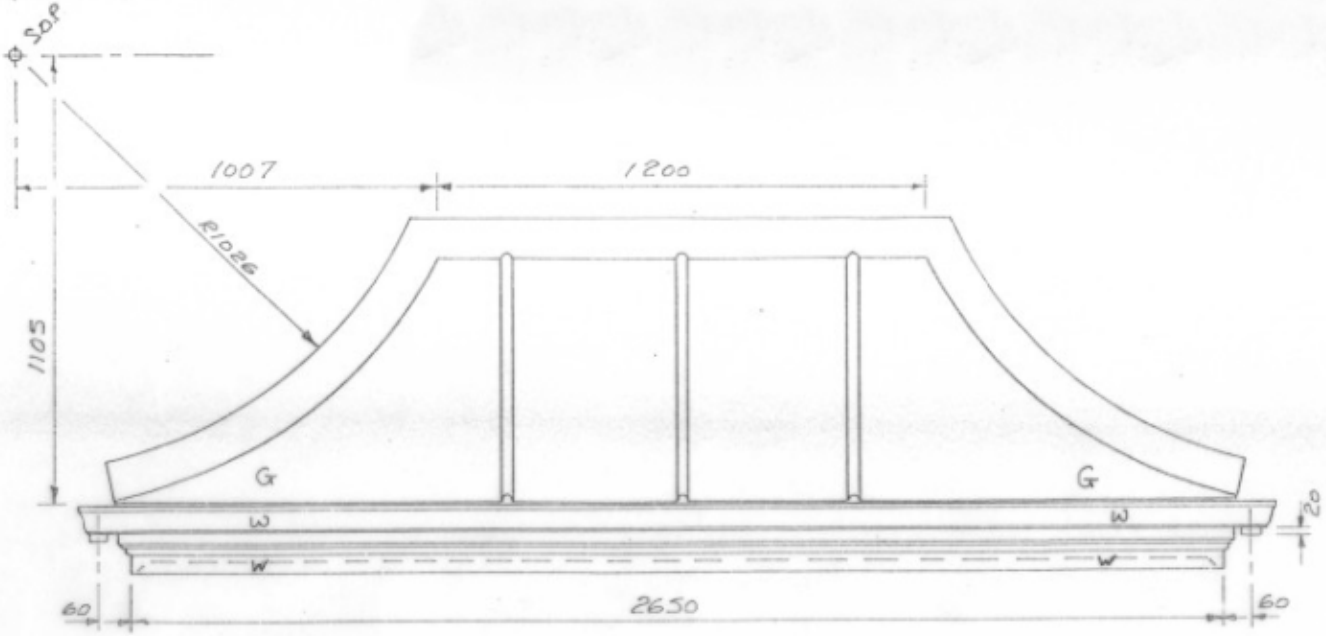
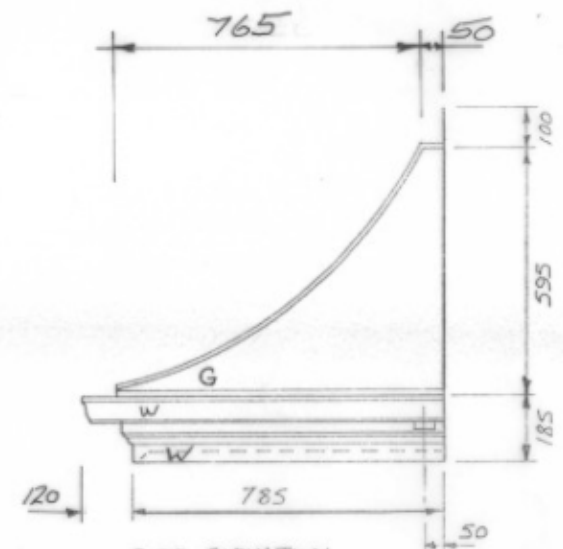


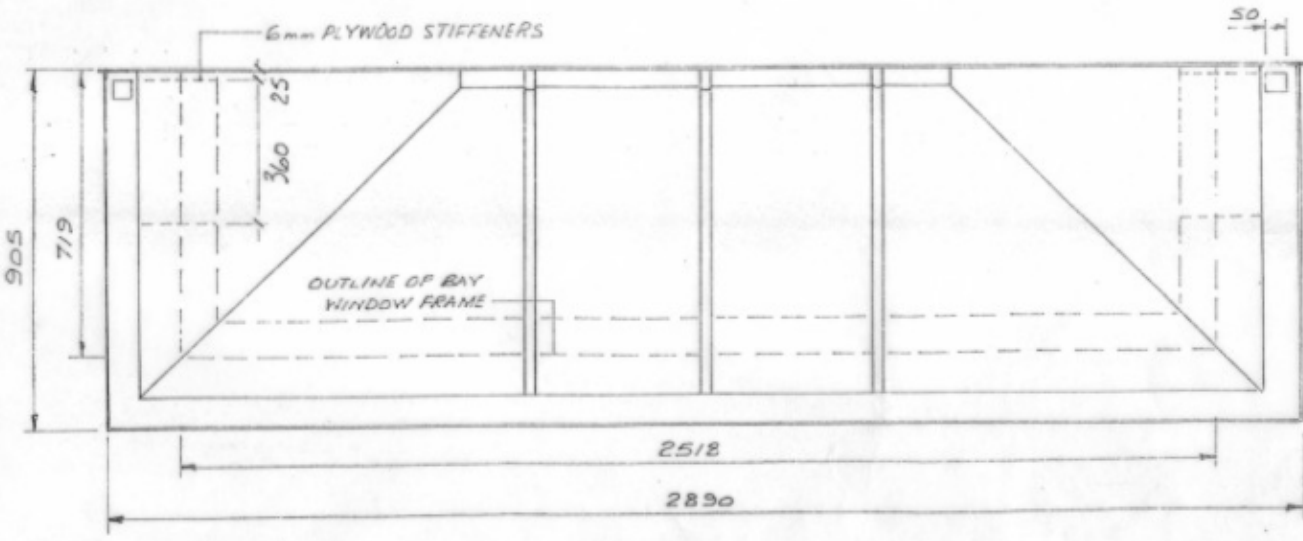
3RD ANGLE PROJECTION



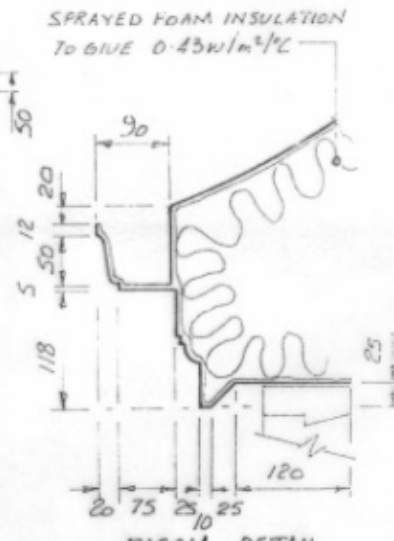
FRONT ELEVATION



SIDE ELEVATION



ROOF PLAN



FASCIA DETAIL

15/07 Removed House Plot No
 RA/A AS ARCHITECT COMMENTS

ISSUE REVISION

GRP Structures Limited
 Fitzherbert Road
 Portsmouth, Hants Tel: 023 9237 9990
 PO6 1RU Fax: 023 9771 0716

SITE

TITLE **Curved Bay Window**
FRONT BAY. Radleigh

DRAWN **RW** SCALE DATE **15:03:07**

DRAWING No **30701-10** SHEET ISSUE **A**

NOTE: COLOUR DENOTED BY-W = WHITE, G = GREY