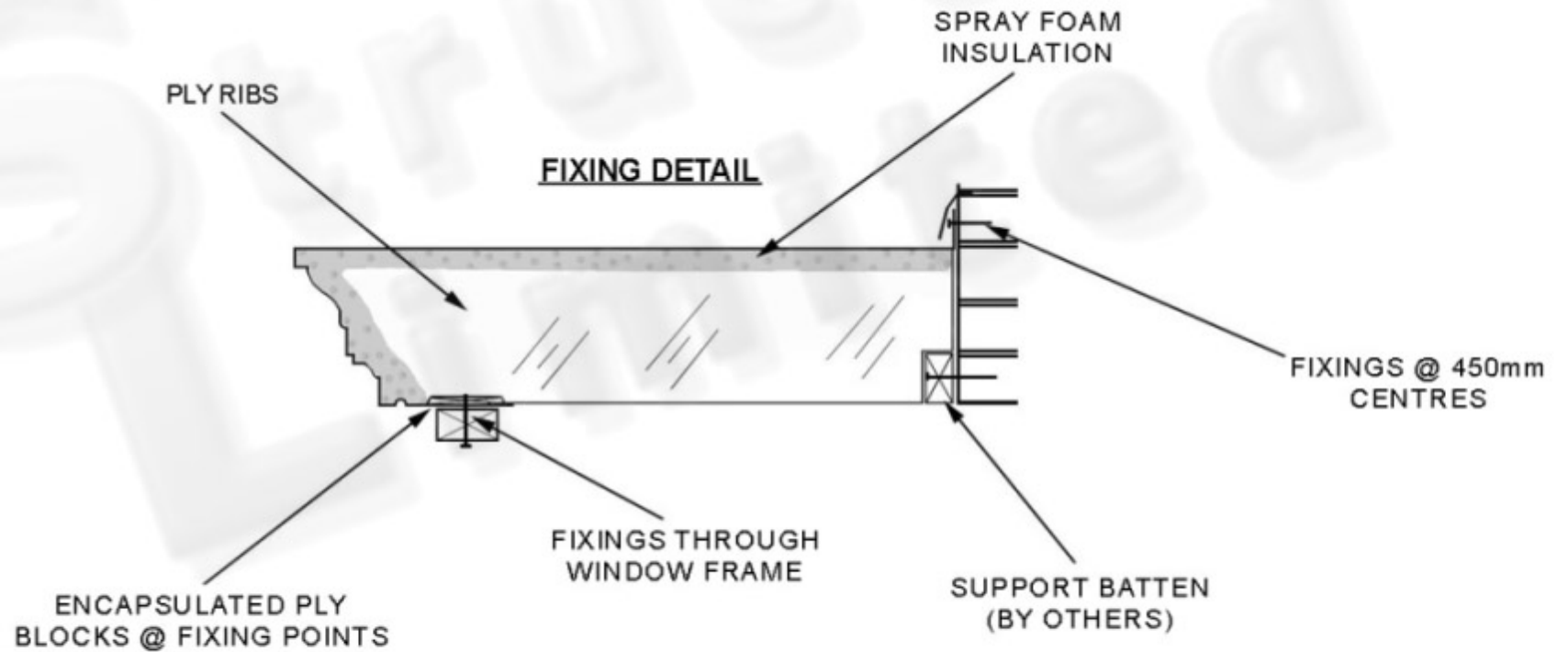


AS REQUIRED



TITLE		G8S BAY TOP	
DATE	4 . 12 . 00 .	SCALE	
DRAWING NUMBER		C2023/G8/1	