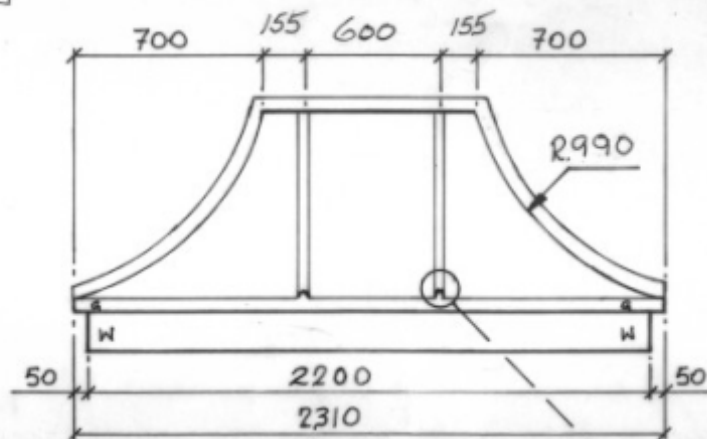


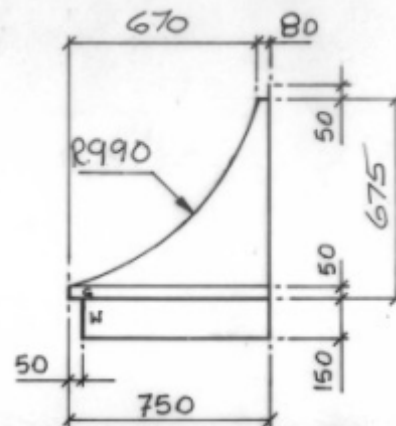


3RD ANGLE PROJECTION

NOTE:- COLOUR W=WHITE, G=GREY. *MADE AS TWO PART UNIT

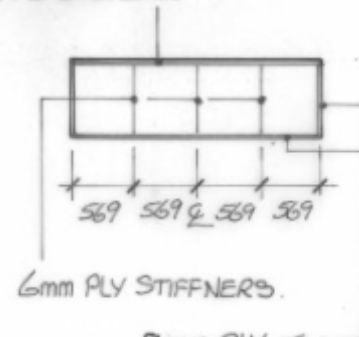


ELEVATION.

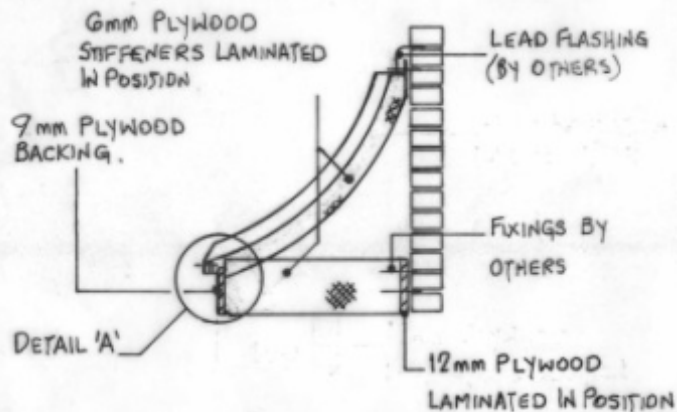


SIDE ELEVATION.

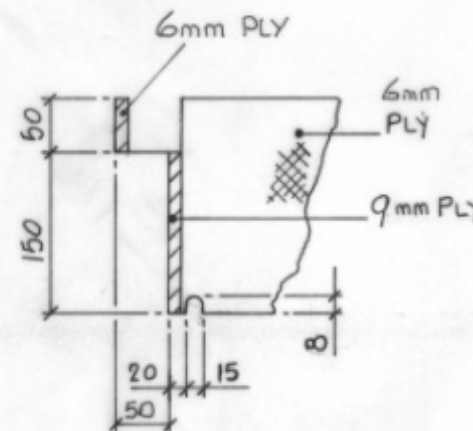
12mm PLY BACK BOARD



PLY BASE DETAIL



TYPICAL SECTION. *



DETAIL 'A'.

5/7/7 ADDED PLY BASE DETAIL FOR MANUFACTURE.
 REV 'B'
 3/5/07 REVISED WIDTH OF CANOPY BY ARCHITECT COMMENTS.
 REV 'A'

ISSUE REVISION

GRP Structures Limited

Fitzherbert Road
 Portsmouth, Hants PO6 1RU
 Tel: 023 9237 9990
 Fax: 023 9221 0716

SITE
Ascot Canopy

TITLE
 ROOF CANOPY

DRAWN	SCALE	DATE
F.A.O.	1:20	04/04/07

DRAWING No	SHEET	ISSUE
30701-11		B

NOTE: FOR DECORATIVE BRACKET REFER TO DRG NO 30701-12-01