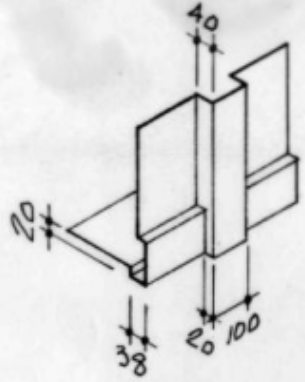
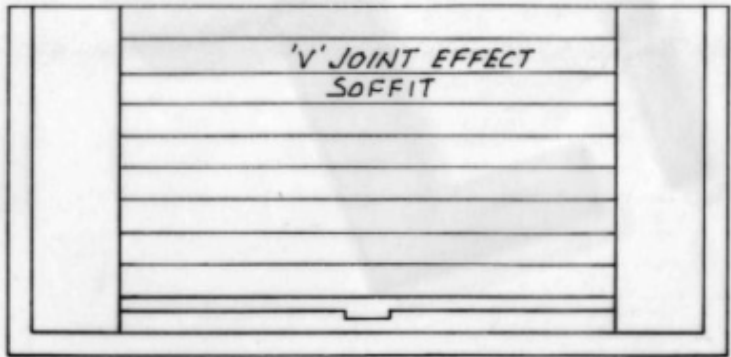
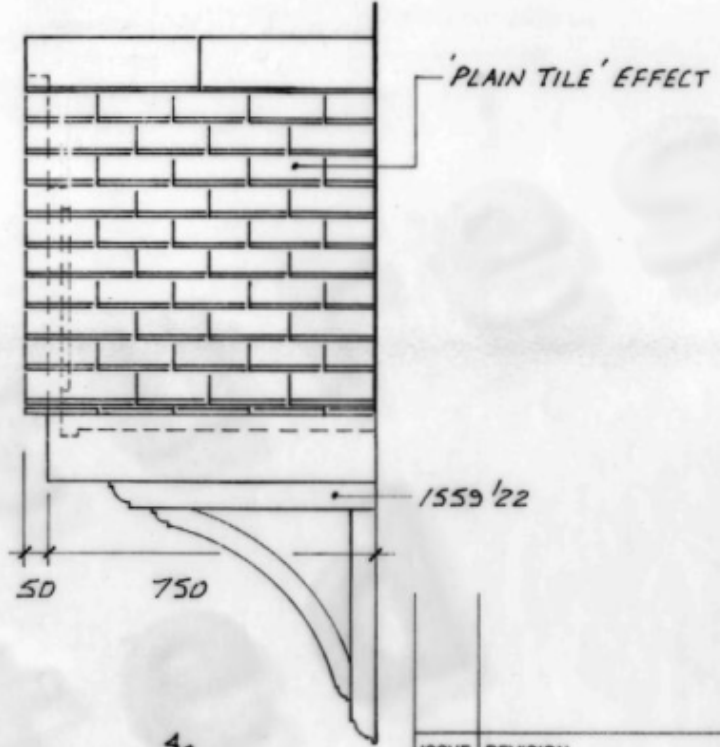
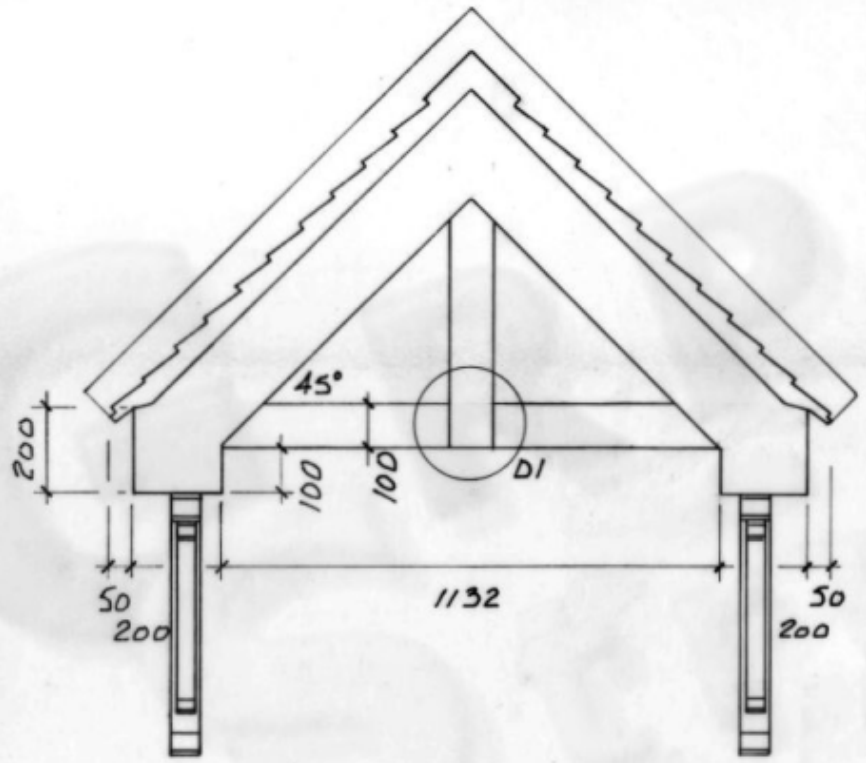


3RD ANGLE PROJECTION



DETAIL-D1

REFLECTED SOFFIT PLAN (BRACKETS OMITTED FOR CLARITY)

ISSUE	REVISION	
Fitzherbert Road Portsmouth, Hants Tel: 023 9237 9990 PO6 1RU Fax: 023 9221 0716		
SITE		
TITLE TYPE 'E' FLATS REAR ELEVATION/CANOPY		
DRAWN	SCALE	DATE
BM	10:125	21-2-05
DRAWING No	SHEET	ISSUE
20504-1		