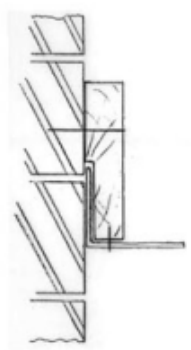
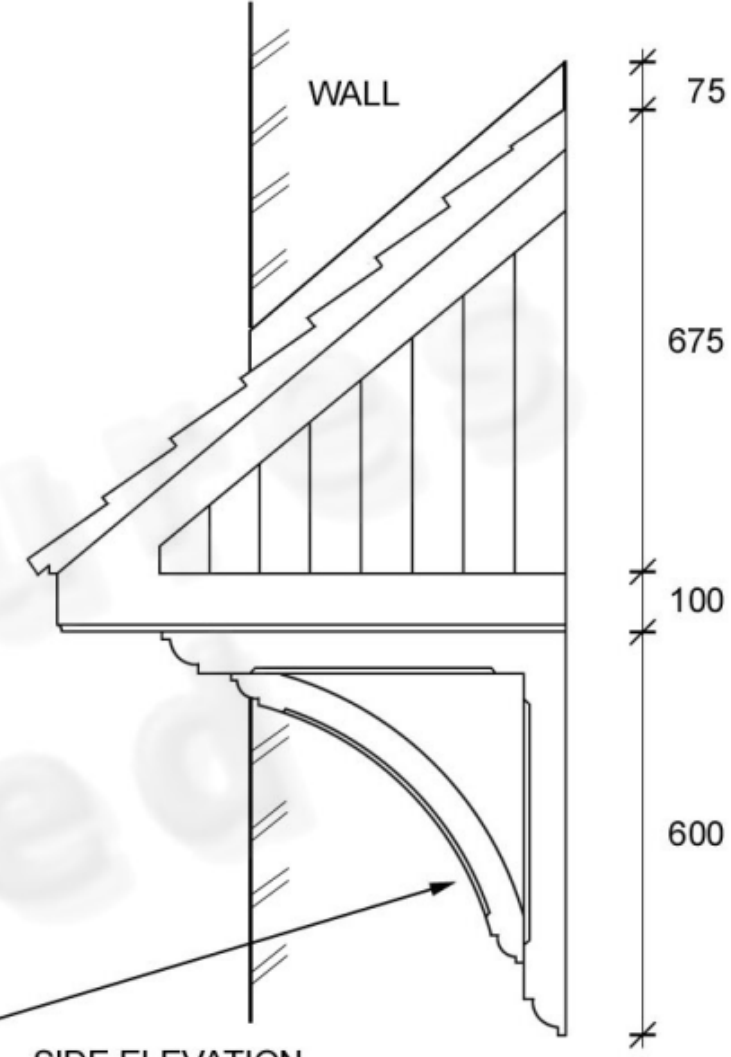


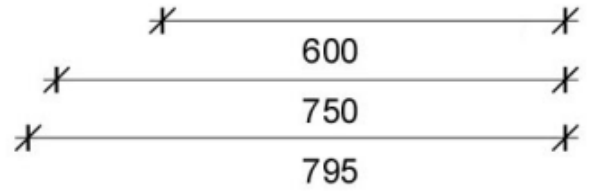
FRONT ELEVATION



FIXING DETAIL D1



SIDE ELEVATION



TITLE	MONO - PITCH CANOPY	
DATE	SCALE	
DRAWING NUMBER		