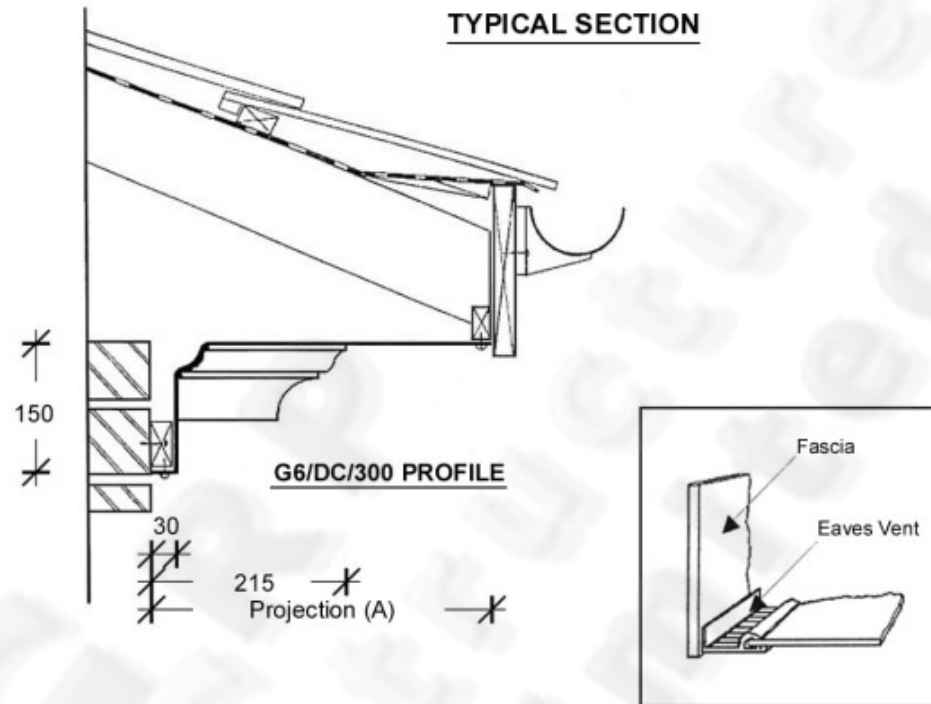


TYPICAL SECTION

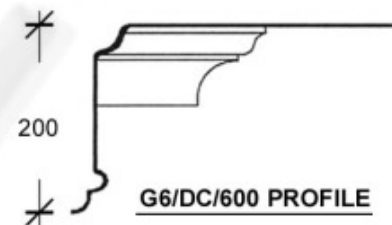


The GRP dentil soffit has been designed to minimise installation cost and produce an attractive, maintenance - free product for the home buyer.

The system comes complete with overlapping joints, internal and external mitres. If desired, joints can be sealed using an approved mastic.

To cover the requirements of the NHBC and Building Regulations of 1 st April 1982 Ref F5, eaves vent similar to that illustrated can be used.

To order, simply forward details of linear measurements, projection (A) and the number of internal and external mitres.



GRP
Structures
Limited



Fitzherbert Road
Farlington
Portsmouth
PO6 1RU

TITLE G6/DC DENTIL
EAVES CORNICE

SCALE

DATE

29.11.00.

DRAWING NUMBER

C2023/G6/DC