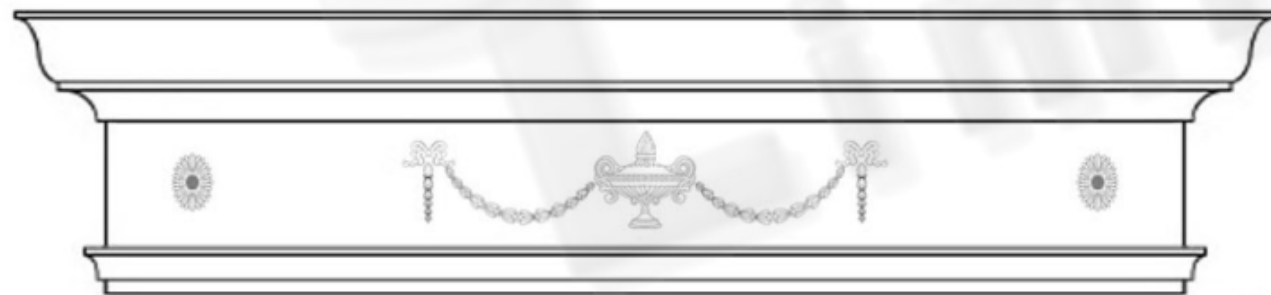


1600



1390

G1/C

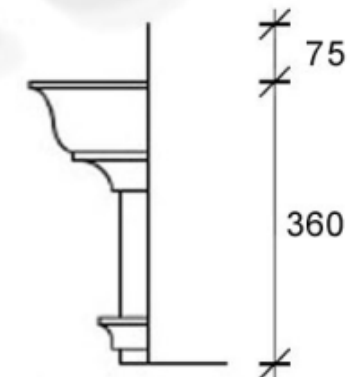


75

800

150

G1/D

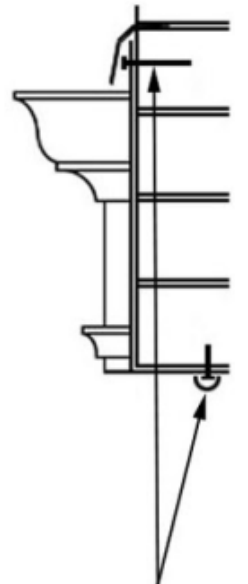


75

360

50 100

FIXING DETAIL



FIXINGS @ 450mm CENTRES

| | | | |
|----------------|---------------|----------------|--|
| TITLE | | C/D DOOR HEADS | |
| DATE | 25 . 5 . 01 . | SCALE | |
| DRAWING NUMBER | | C2023/07/D | |