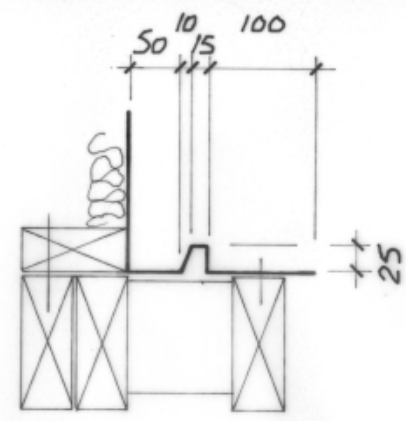


FRONT ELEVATION

SEE DRAWING NUMBER 2023-45-2 FOR SECTION OF 45° ROOF PITCH
 SEE DRAWING NUMBER 2023-50-2 FOR SECTION OF 50° ROOF PITCH
 SEE DRAWING NUMBER 2023-52-2 FOR SECTION OF 55° ROOF PITCH

DRAWING SIZE A3



SECRET GUTTER/FIXING DETAIL

4/8/07 ADDED NOTE ABOUT 65°
 REV 'X' SECTIONS.

ISSUE REVISION

GRP Structures Limited

Fitzherbert Road
 Portsmouth, Hants PO6 1RU
 Tel: 023 9237 9990
 Fax: 023 9221 0716

SITE STANDARD
 FLAT ROOF DORMER

TITLE FRONT ELEVATION
 915x1050 FRAME

DRAWN	SCALE	DATE
bm	1:10	23-6-06

DRAWING No	SHEET	ISSUE
2023-45-1	1 of 2	A