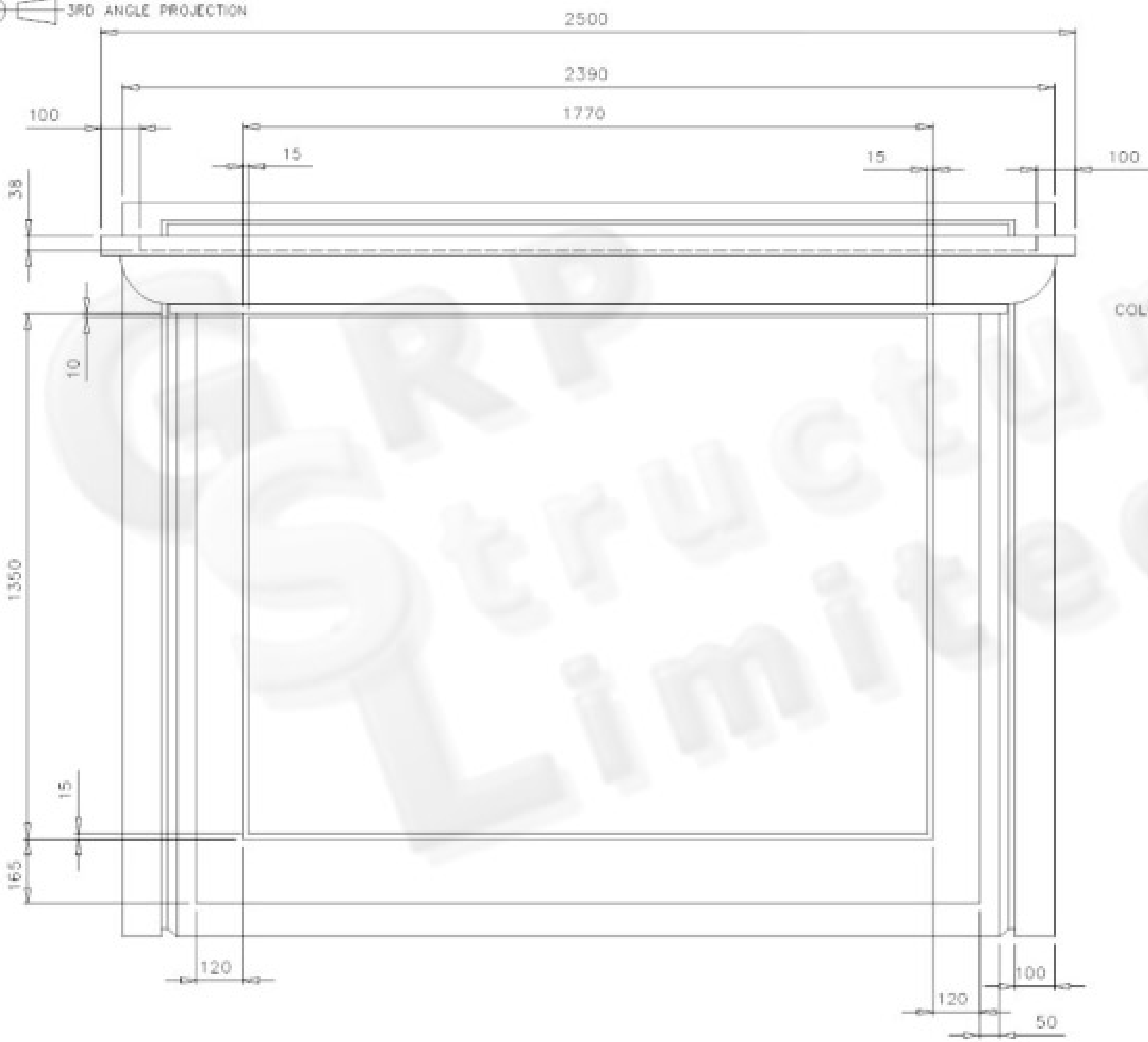


3RD ANGLE PROJECTION



COLOUR: - GREY 18-B-25 TO BS 4800

ISSUE	REVISION
ALPHA GLASSFIBRES LTD.	
SITE VISCOUNT PARK	
TITLE 1770 X 1350 DORMER	
SCALE 1:10	DATE 25/11/02
DRAWING NUMBER 9118/2/2	

DRAWING SIZE A3