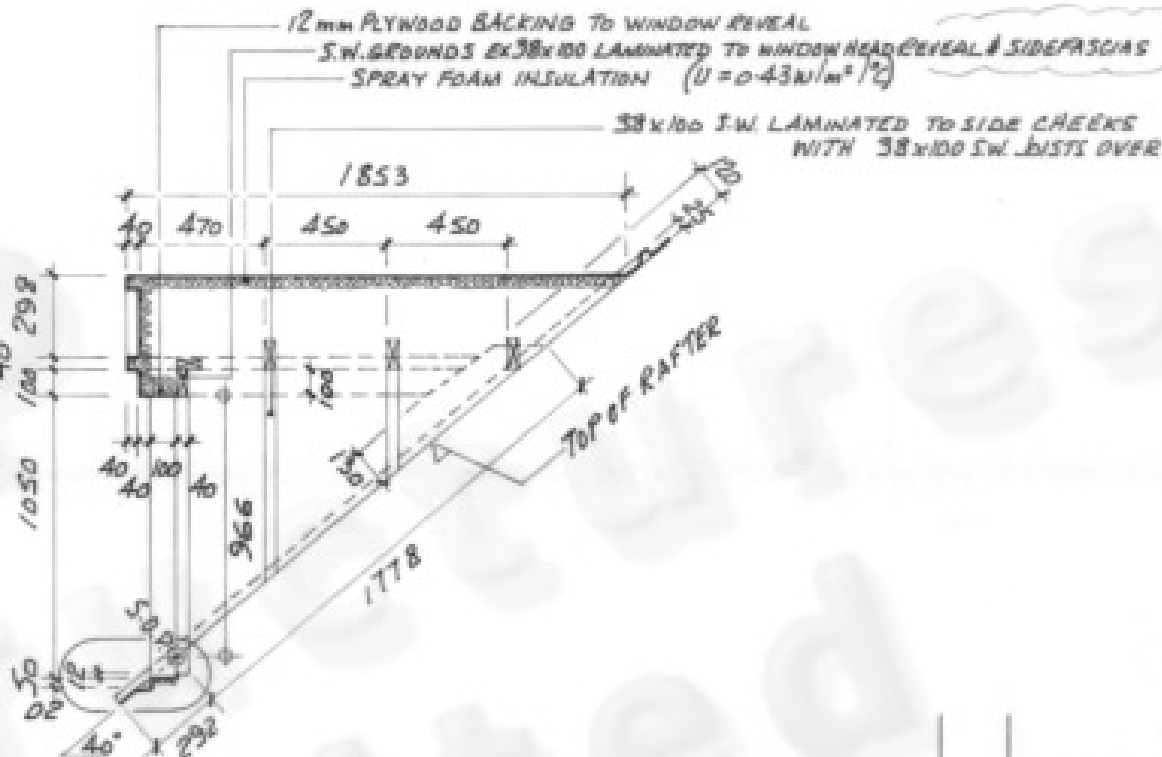
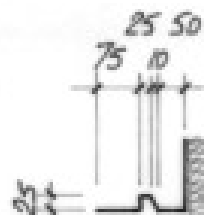


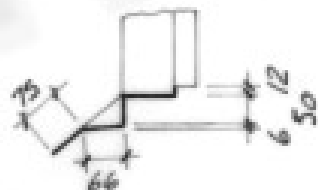
FRONT ELEVATION



SECTION THROUGH A



DETAIL - D1



DETAIL - D2

A  
19/7/04  
5.0 w.g rounds to window head added

ISSUE REVISION  
GRP Structures Limited  
Fitzherbert Road, Farlington, Portsmouth  
Tel: 023 9227 8990 Fax: 023 9221 0718

SITE  
**Haven**  
TITLE  
HOUSE TYPE HAVEN  
DORMER WINDOW

SCALE 1:20 1/10 DATE 23-7-03

DRAWING NUMBER 70305-1 A