

**PLAIN**

**FLUTED**



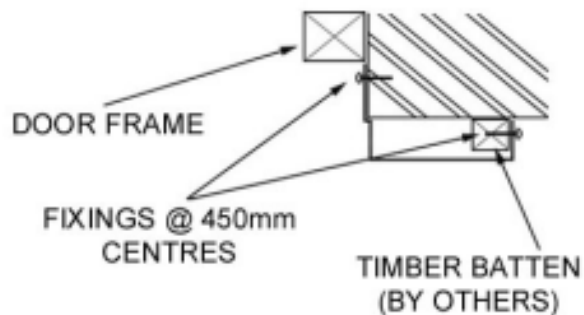
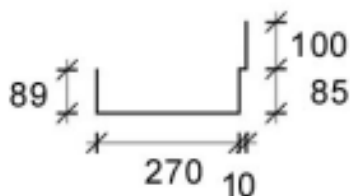
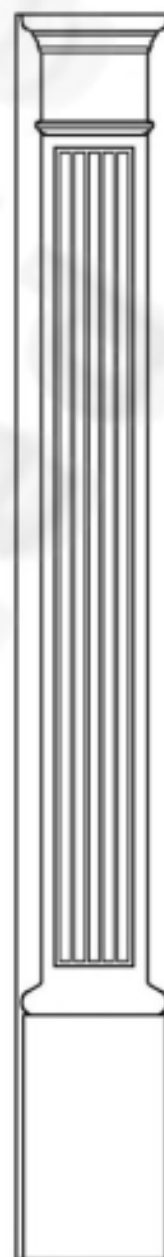
2365



209

1681

475



**GRP Structures Limited**



Fitzherbert Road  
Farlington  
Portsmouth  
PO6 1RU

TITLE **C/D PILASTERS**  
(FOR FLUSH THRESHOLDS)

SCALE

DATE

7 . 2 . 02 .

DRAWING NUMBER

C2023/07/CF